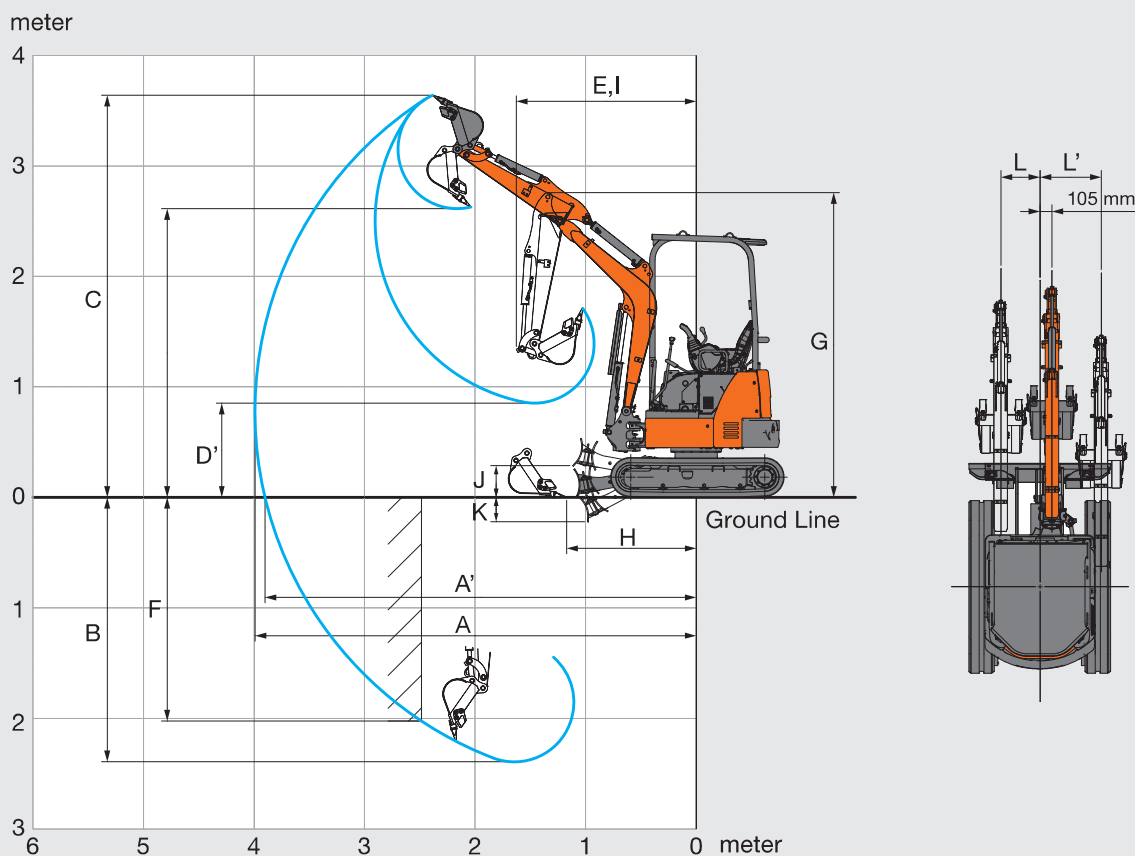


# SPECIFICATIONS

## WORKING RANGES

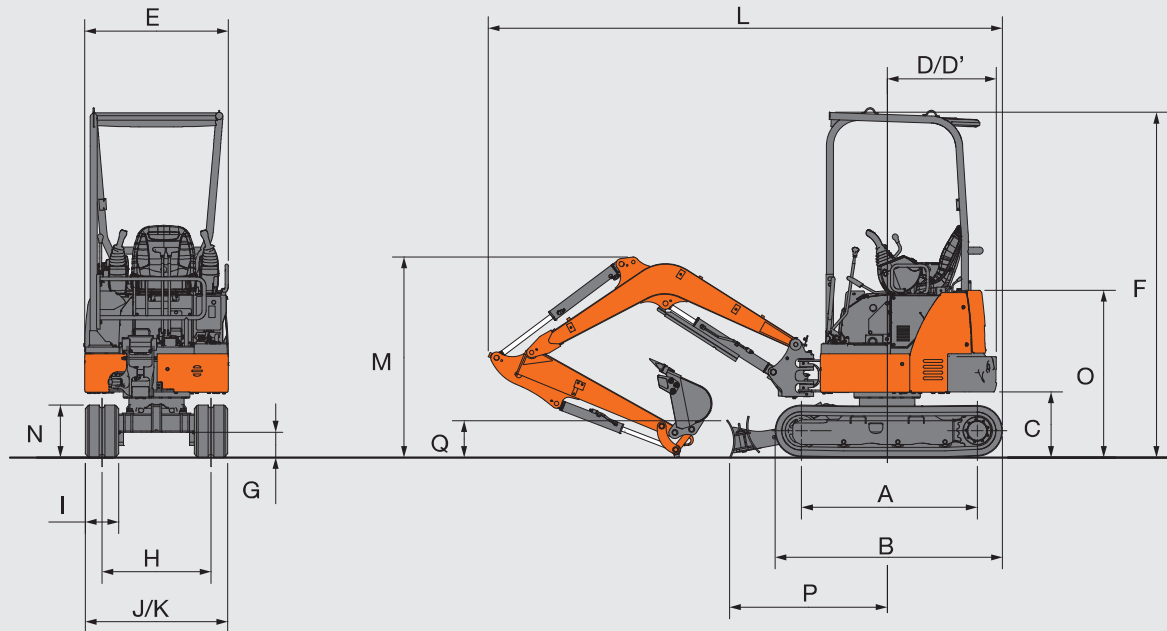


This illustration shows with 1,13 m arm, 0,044 m<sup>3</sup> bucket and 230 mm rubber shoes.

Unit: mm

	ZAXIS 19U
	<b>1,13 m arm</b>
	3-Pillar Canopy
A Max. digging reach	3 990
A' Max. digging reach (on ground)	3 900
B Max. digging depth	2 390
C Max. cutting height	3 640
D Max. dumping height	2 610
D' Min. dumping height	850
E Min. swing radius	1 620
F Max. vertical wall digging depth	2 020
G Front height at Min. swing radius	2 770
H Min. level crowding distance	1 170
I Working radius at Min. swing radius (Max. boom-swing angle)	1 060
J Blade bottom highest position above ground	230
K Blade bottom lowest position above ground	260
L/L' Offset distance	355 / 555
Max. boom-swing angle (deg.)	70 / 50

## DIMENSIONS



This illustration shows with 1,13 m arm, 0,044 m<sup>3</sup> bucket and 230 mm rubber shoes.

Unit: mm

	ZAXIS 19U 3-Pillar Canopy
A Distance between tumblers	1 210
B Undercarriage length	1 570
C Counterweight clearance	450
D Rear-end swing radius	755
D' Rear-end length	755
E Overall width of upperstructure	990
F Overall height of cab	2 380
G Min. ground clearance	165
H Track gauge (Retract / Extend)	750 / 1 050
I Track shoe width	230
J Undercarriage (Blade) width (Retract / Extend)	980 / 1 280
K Overall width (Retract / Extend)	990 / 1 280
L Overall length	3 540
M Overall height of boom	1 390
N Track height	360
O Engine cover-height	1 150
P Horizontal distance to blade	1 090
Q Blade height	220